
Le Continental

Oil fired stove

Model 174 07 53
(ANSI/UL & CAN/CSA approved)



Description of the appliance

Installation instructions

Operating instructions

Spare parts

Warranty certificate

Document n° 952-3 EN ~ 02/03/2000

Français

English

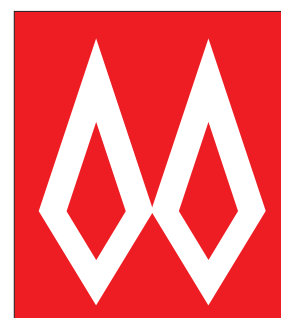
Norsk

Technical manual

to be saved

by the user

for future reference



FRANCO BELGE

Les Fonderies Franco-Belges
59660 MERVILLE
Phone : 03.28.43.43.43
Fax : 03.28.43.43.99
RC Hazebrouck 445750565B
Subject to modifications

1. Description of the unit

1.1. Description

Flued oil stove with vaporizing burner (Norm EN1)

1.2. Optional equipment

▣ Ground vat

1.3. Specifications

Nominal Heat Output (NF D 35.001) . . . kW	6,5
. Btu/hr	26.000
Oil consumption at :	
- maximum speed l/h	0,81
. gal/hr	0,22
- minimum speed l/h	0,25
. gal/hr	0,066
Chimney draft required at :	
- maximum speed Pa	15
- minimum speed Pa	6
Weight kg	55

USA/CANADA - Connection to a L.VENT chimney :	
Nominal heat output Btu/h	19 600
. kW	5.75
Oil consumption at nominal speed . . USgal/h	0.198
. l/h	0.75
Chimney draft "w.c.g	0.06
. Pa	15

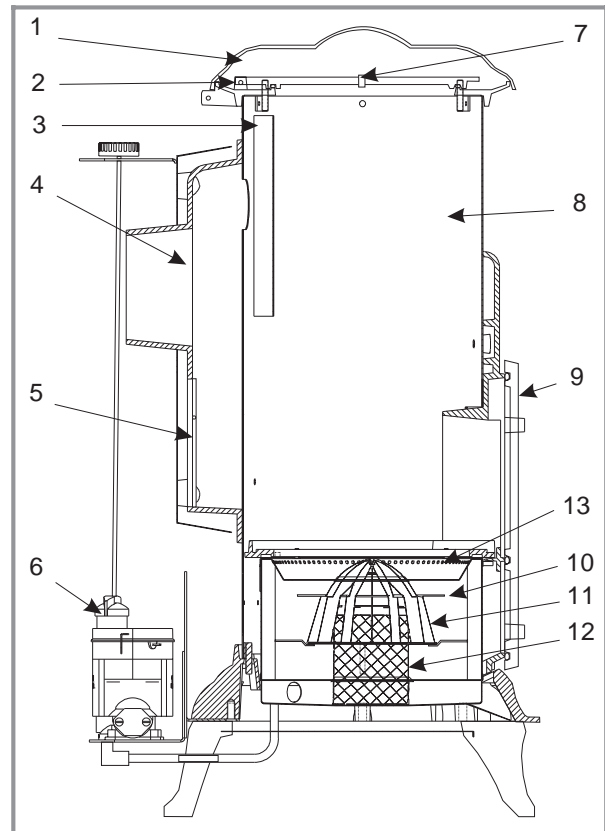


Fig. 1 - Description

- | | |
|-----------------------|------------------------|
| 1 - Cover | 8 - Combustion chamber |
| 2 - Top plate | 9 - Main door |
| 3 - Flue baffle | 10 - Catalyser ring |
| 4 - Flue box | 11 - Catalyser cover |
| 5 - Draught regulator | 12 - Catalyser body |
| 6 - Carburettor | 13 - Air inlet holes |
| 7 - Draught control | |

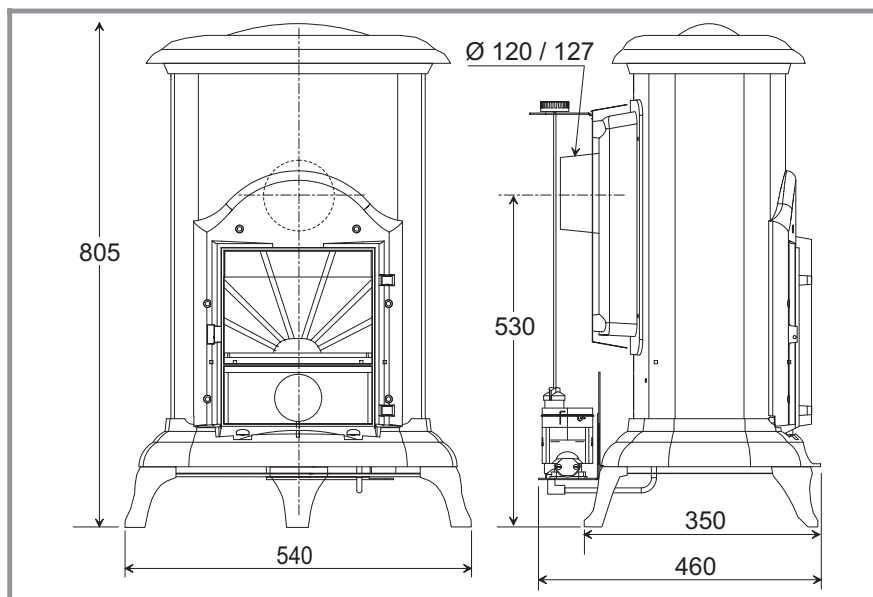


Fig. 2 - Dimensions in mm

- 805 mm - 31 3/4"
- Ø 120 / 127 mm - Ø 5"
- 540 mm - 21 1/4"
- 530 mm - 20 4/5"
- 350 mm - 13 3/4"
- 460 mm - 18"